

Digital I/O Module

- ◆ **96 TTL, CMOS or Open-collector Input/Output Channels**
- ◆ **Drives up to 32V and Sinks up to 200mA per channel**
- ◆ **Two-wire Programmable Hand shaking**
- ◆ **Synchronous, Asynchronous and Mixed Operating Modes**
- ◆ **200kHz Data Rate**
- ◆ **Single-slot, C-size, Message-based VXibus Module**

Racal Instruments 1260-14 provides 96 TTL, CMOS, or Open-collector channels in twelve groups of eight bits each. With the open collector version each independent group can utilize a separate internal or external pull-up supply up to 32VDC. These open collector transistors are ideal for controlling external digital circuitry, switches, relays and similar devices. Each channel is configurable as an input or an output. Channels are individually controlled in asynchronous mode or with other channels in synchronous mode.

The 1260-14 has a two-wire handshake mode available for the control of synchronous I/O transactions. Each handshake line can be programmed as either active high or active low providing a flexible interface with user signals.

The 1260-14 is programmable in several operating modes and data may be manipulated in either hex, decimal or binary. Memory is available on the 1260 Series Smart Card Module to allow buffered I/O operations.

The 1260-14 is also available in TTL or CMOS compatible I/O channels. Each TTL or CMOS I/O channel may be placed in a high impedance, tri-state mode.

Racal Instruments 1260-14 Digital I/O Module is supported by 1260 Series Option 01 message-based interface.

1260-14 PRODUCT SPECIFICATIONS

Number of Channels

96

Data Rate

Static to 200kHz (Asynchronous, Register-Based)
Static to 800Hz (Synchronous)

Operating Modes

Asynchronous
Synchronous
Mixed (Synchronous and Asynchronous)

Input/Output

TTL, CMOS, or Open Collector TTL

Configuration

I/O lines selected as either input or output on an 8-bit byte basis

Output Voltage	Open Collector	TTL	CMOS
Vout (high)	$5V \leq V_{oh} \leq 32V$	$\geq 2.4V @ -15mA$	$\geq 3.8V @ 6mA$
Vout (low)	$\leq 1.5V @ I_{oh} = 200mA$	$\leq 0.5V @ 48mA$	$\leq 0.4V @ 6mA$

Input Voltage	Open Collector	TTL	CMOS
Vin (high)	$\geq 2.0V$	$\geq 2.0V$	$\geq 3.15V$
Vin (low)	$\leq 1.5V$	$\leq 0.8V$	$\leq 0.9V$
Vin(max)	32VDC	5.25V	5.00V

VXIBUS INTERFACE DATA

Cooling Requirements

Airflow: 1.2 liters/sec.
Back Pressure: 0.6mm H₂O

Power Requirements (I_{pm})

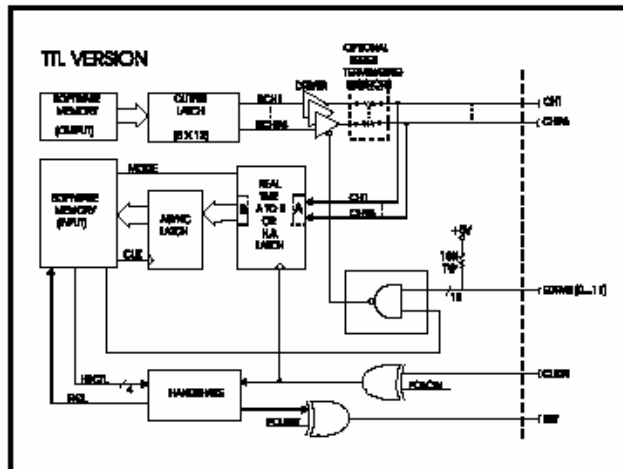
+5V: 2.38A, (if no internal supplies are used to pull up the outputs)
4.78A with Option 01 installed

Weight

2.69 lb (1.21 kg) without Option 01
2.97 lb (1.34 kg) with Option 01

Mechanical

C-size, Single-slot VXIbus Module



Note: Module is supplied with one set of mating connectors. Additional connectors can be ordered using the part number shown

CE The CE Mark indicates that the product has completed and passed rigorous testing in the area of RF Emissions, Immunity to Electromagnetic Disturbances and complies with European electrical safety standards.

ORDERING INFORMATION

MODEL/DESCRIPTION	PART NUMBER
Racal Instruments 1260-14, Digital I/O Module, CMOS Compatible	404916-001
Racal Instruments 1260-14, Digital I/O Module, TTL Compatible	404916
Racal Instruments 1260-14C, Digital I/O Module, Open Collector	407164
Racal Instruments Option 01T Smart Card Module (installed)	OPT-401901-005
50-pin IDC Pin #601627 (2 supplied)	601627
60-pin IDC Pin #601457 (2 supplied)	601457

The EADS North America Defense Test and Services policy is one of continuous development, consequently the equipment may vary in detail from the description and specification in this publication.



EADS North America Defense Test and Services
1.800.722.2528/1.949.859.8999 sales@eads-nadefense.com